

Night vent facility
(leaving the window
slightly open
providing ventilation
without
compromising
security)

Internally beaded
(Glass fitted from the
inside – keeping
Burglars out!)

High security friction
hinges. Firm closure
with unique asymmetric
mechanism. (Further
peace of mind against
forced entry) Conforms
to security Kitemark
BS7950. Fire egress
hinges and child
restrictor hinges are
available. Conforms to
BS 8213.

BS 3111 Marine
grade austenitic
screws are available.
Conforms to BS
1110

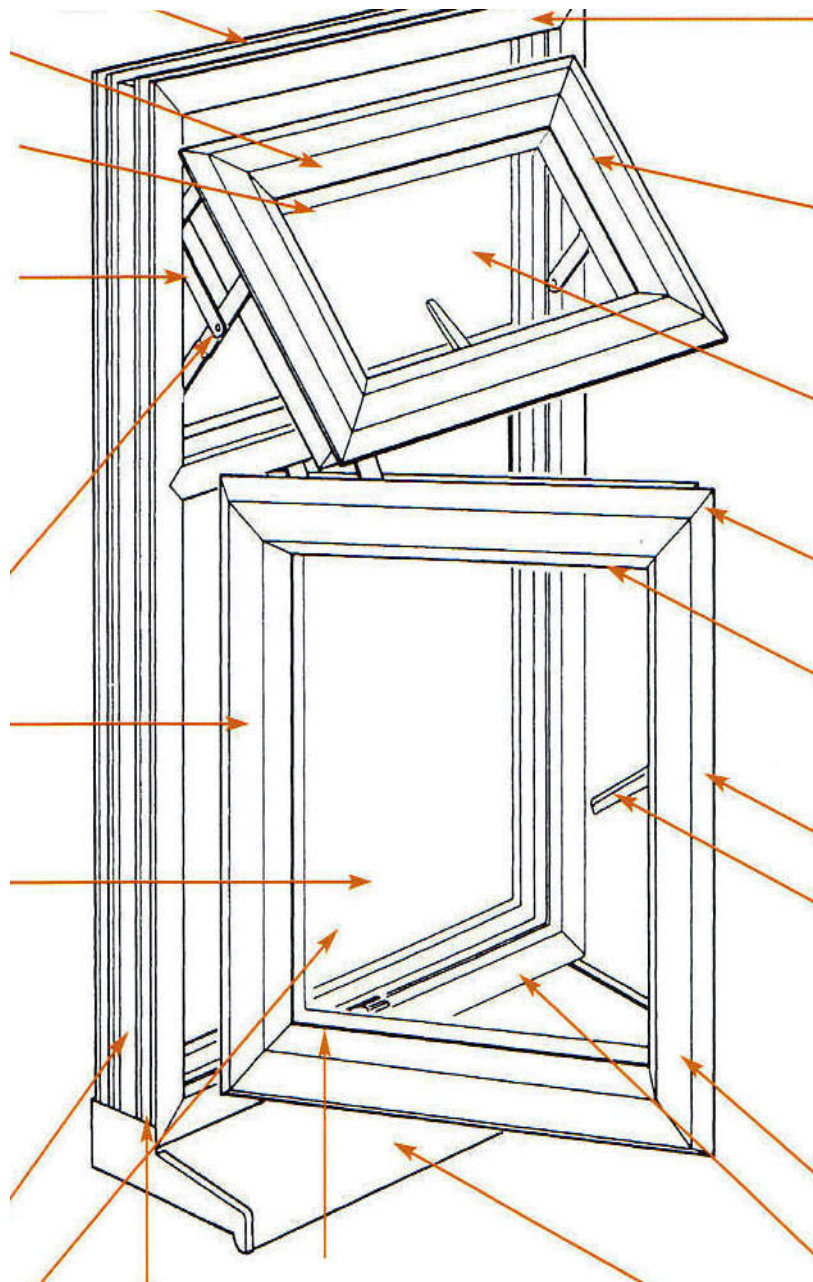
Great Colour choice.
White, Light Oak and
Rosewood
(Rosewood on white
is also available)

New Generation
Glass is available
as an extra over.
Full specification
is available on
request.

Steel reinforcement
is used when
necessary, providing
excellent rigidity and
strength (BS 2989)

28mm glazing
kitemarked sealed
units BS5713, BS
6206 for
toughened glass.
(We recommend
that all products
are glazed in
accordance with
the BS 6262
Code of Practice
for glazing
buildings).
Conforms to BS
8000

Strong profile with a
minimum 3mm
external walls



Multi-chambered
PVCu cuts down on
thermal transference
of heat.

Rolled-in-Gasket.
Dual seal gaskets give
excellent weather protection.
(BS 4255)

A range of
matching external
cills: 85mm,
150mm, 180mm

Approved to BS
7412 PVCu profile
standards RAW
production material
(1406) is resistant to
impact standard DIN
7748 Rolled-in-
Gasket.
Dual seal gaskets
give excellent
weather protection.
(BS 4255)

Five chamber 70mm
profile manufactured
to BS 7413. BBA
approved

Warm-edged technology is
also available which is a
thermally broken spacer bar
that improves the overall
performance of an insulated
glass unit. It also significantly
reduces condensation.
Available in a choice of
colours

Fully welded construction.
Very strong, weatherproof
and draughtproof. No
mechanical joints

Rolled-in-Gasket.
is available in black.
All our products have
been tested for
weather resistance

Bevelled sash.
Attractive sightlines.

Dual Function
locking handles
(Note: All Tilt & Turn
window hardware is
tested to do more
than 5 times the
requirements of DIN

Multiple locking system and
deadbolt. (Shootbolts tested
to 500 hours of salt
resistance)

Concealed drainage
is available. No
unsightly buttons or
caps

VERTICAL FRAME WINDOW SPECIFICATION